

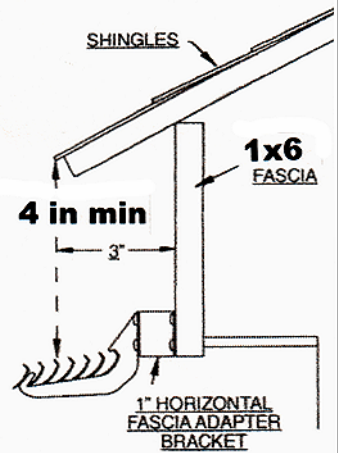
Special Installations

- If your roof's drip edge extends more than 2 1/2" from the fascia board, use one Rainhandler Horizontal Adapter for every inch greater than the recommended 2". A maximum of three (two in heavy ice areas) Horizontal Adapters may be used. (See Figure 2a)
- If your roof's drop edge is less than 1 1/2" use Rainhandler Drip-Edge Extender. Each 5' section of Drip-edge Extender is positioned first under layer of shingle. Use a putty knife to loosen first shingle layer. After determining proper position, peel off paper backing and adhere. See Figure 2b.
- If your fascia board is less than 5 1/2" use Rainhandler Vertical Adapters. One Vertical Adapter will lower the Rainhandler 2". See Figure 2c. Vertical Adapters can be used in combination with Horizontal Adapters. Install Vertical Adapters with flat edge against the fascia.
- If your home has an angled fascia (as in Figure 2d) you will need Rainhandler Angled Fascia Adapters to ensure that the Rainhandler section is hung horizontally; parallel to the ground. We make three different Angled Fascia Adapters to suit the needs of different pitched roofs. To measure the pitch of your roof, use two 12" rulers as in Figure 2d. You may need to use and can use other adapters in combination with Angled Fascia Adapters. The illustrated roof has a 6/12 pitch. If your home has a Mansard, Gambrel or Barn type roof with no fascia board, we have brackets called "Mansard Brackets" which are right angle brackets, 2 inches by 6 inches by 1/2 inch wide by 80 mils. thick. The 2 inch portion would screw into the bottom of your soffit or deck and the 6 inch portion would hang vertically. The Rainhandler brackets screw into the 6 inch portion.

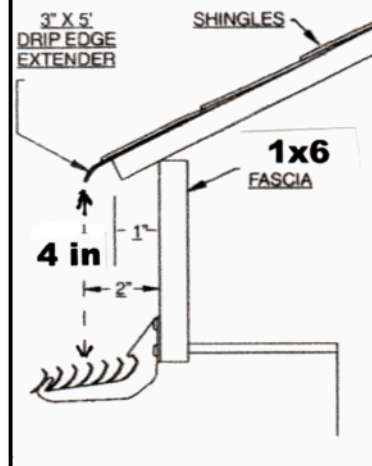
Special Installation Situations

- Roof drip edge over 2 1/2"
- Roof drip edge under 1 1/2"
- Fascia board less than 5 1/2" wide.
- Angled fascia.

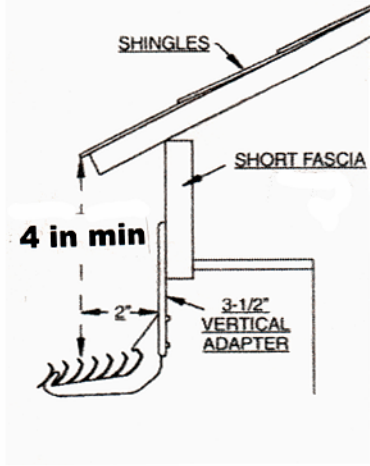
2a ROOF DRIP EDGE OVER 2-1/2"



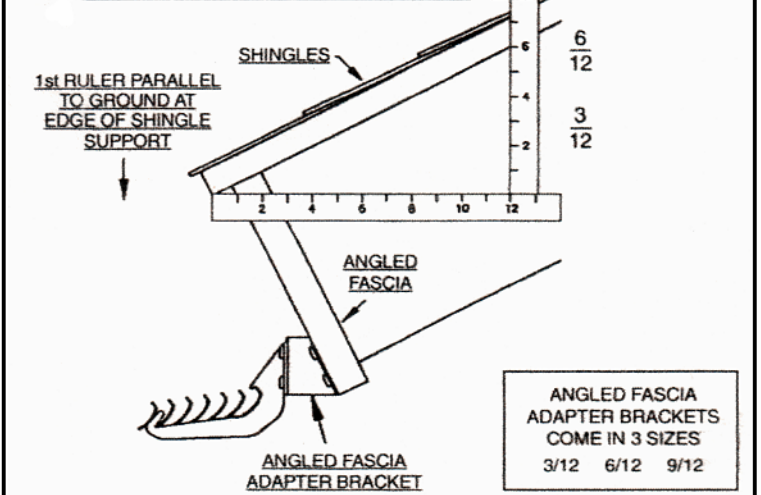
2b ROOF DRIP EDGE UNDER 1-1/2"



2c SHORT FASCIA - LESS THAN 1 X 6



2d 2nd RULER AT END OF 1st AT RIGHT ANGLES



NOTE ON ROOFING MATERIALS:

Normal and special installations apply to most roofing surfaces, however, when a smooth steel roof is used on an otherwise normal installation, horizontal adapters may be required depending upon roof pitch.