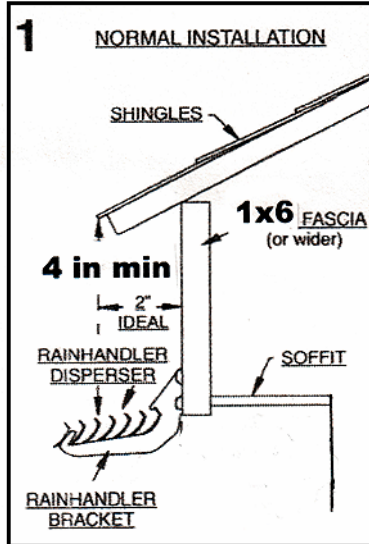


Normal Installations

1. Must have a vertical fascia board wider than 4 inches and a drip edge overhang of 1 1/2" - 2 1/2".
2. Rainhandler MUST be positioned at least 4" below roof edge. More than 4" works even better, ALWAYS AT BOTTOM OF FASCIA BOARD. The roof edge MUST be directly over the third to fifth slat from the house for best results. See Normal Installation.



3. Center the ladder 30 inches from end of roof edge. (Figure 1). Be sure ladder is secure. Climb ladder with needed tools and place Rainhandler temporarily on roof.
4. Measure and mark bracket positions at 10, 30, and 50 inches from roof end (Figure 2) at the bottom of your fascia board.
5. Using the bracket, spot and mark screw holes at each bracket position. Start screw holes with 6d nail or use drill bit. (Figure 3).
6. Mount brackets, seating snugly. (Figure 4). DO NOT OVERTIGHTEN SCREWS.
7. Swing the Rainhandler section under the ladder. Mount it by hooking the second slat with the end hook, then push down and squeeze the rear slat until it is engaged under the snap lock tab (Figure 5). Climb down and repeat steps 1-5 for each additional Rainhandler section. Climb and use ladder with care.

8. At the final section it is usually necessary to cut it to length. Measure and mark the place for cutting on the Rainhandler. Cut only one slat at a time with sheet metal shears. Insert the shear tip and cut as shown in Figure 6. When you finish, any bent slats can be straightened with pliers for better function and appearance. You may prefer to place the section bottom-side up between 2 pieces of wood (1 X 4") and cut with a fine-toothed hack saw. When cutting a section, leave as many cross-supports as possible. For example, 2 inches cut off both ends would be better than 4 inches cut off one end. Adjust bracket positions accordingly.
9. For installation at roof corners see Figure 7.

NOTE ON PAINTING

All Rainhandlers may be painted. To paint Rainhandler:

[a] Wipe them with acetone (available at your hardware store). For painted Rainhandlers, wait 24 hours for paint to soften.

[b] Paint with any suitable metal paint. Rustoleum and Krylon spray work well or you may check with your local paint dealer for a suitable product.

